

made by  
**JIM  
LAWRENCE**



01473 826699  
[WWW.JIM-LAWRENCE.CO.UK](http://WWW.JIM-LAWRENCE.CO.UK)

JLF13885

**BROOKE WALL LIGHT**

# Safety First

If in any doubt about electrical safety, contact a qualified electrician. Installation should always be carried out by a qualified electrician or a competent person in accordance with current electrical regulation.

Please note that all our lights require earthing. This light must be installed in accordance with the latest edition of British Standard 7671.

The electricity supply should always be isolated at its source (fuse box) before attempting any installation or maintenance.

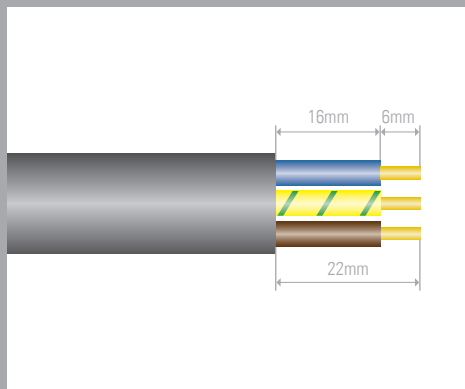
Please do not fit bulbs exceeding the maximum allowable wattage as shown on the label adjacent to the bulb holder. Please note we do not recommend using halogen bulbs in our lights.

If the external flexible cable or cord of light is damaged, it shall be exclusively replaced by Jim Lawrence or a similar qualified person in order to avoid a hazard.

If any glass components of this light are damaged during transit, please contact Jim Lawrence to discuss replacements. All our glass has arised edges, but we recommend gloves are to be used when handling.

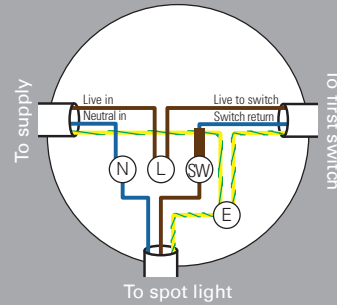
This product is intended for indoor use only. 220-240V ~ 50Hz.

## Cable Preparation

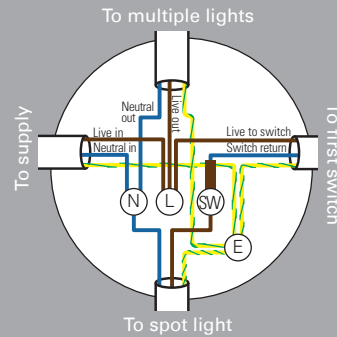


# Wiring Diagrams

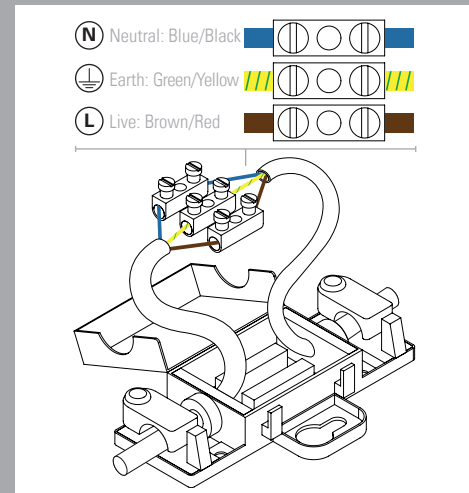
## Single light system



## Multiple light system



## Connector Block Assembly



NB. If the wiring in your house predates the British standards regulation in 2004 to harmonise wiring colours. The colour of your wires may be different to the illustration.

# Fitting Advice

Before installing the light, switch off the mains electricity supply. If required, disconnect and remove your existing light making notes of the how the wires are positioned and connected.

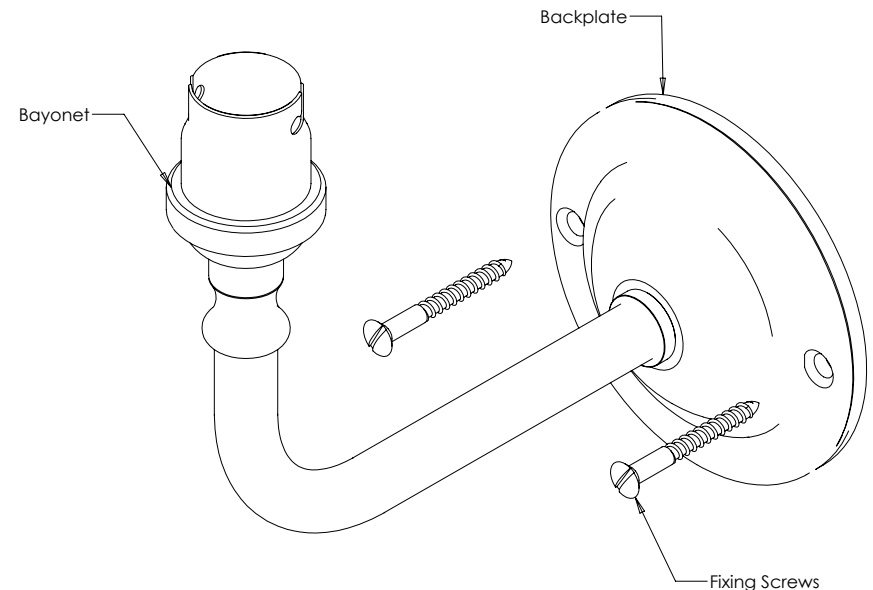
Offer the backplate to the wall where you would like to position your light. Ensure you have a strong fixing point - a wall stud or brick wall is ideal. Mark and drill the holes for the fixing screws taking care not to damage any electrical cables. In many older houses this point can take time to prepare. Insert Wall plugs if necessary.

If you are unable to create enough space in your wall cavity for the wiring, we offer a backplate pattress which enables wiring to be fitted externally if required. Please see our website or brochure for details or call us on 01473 826699.

We recommend you use the sealed connector block, attached, within your wall cavity to connect your light to the supply wire. Ensure the cables are fully inserted into the connector block and connect the wires in accordance with the wiring diagram. Screw the light to the wall using the screws provided.

These instructions apply to fitting the Brooke Wall Light that is intended for indoor use only.

Please retain these fitting instructions for future reference.



This information is intended as a guide only. Please see the latest IEE Wiring Regulations for full details.

Jim Lawrence takes no responsibility for incorrectly installed lights & recommends that all lights should be installed by a qualified electrician. These details are correct at time of print.