

made by
**JIM
LAWRENCE**



01473 826699
WWW.JIM-LAWRENCE.CO.UK

JLFI-3026-B

MASTHEAD WALL LIGHT

Safety First

If in any doubt about electrical safety, contact a qualified electrician. Installation should always be carried out by a qualified electrician or a competent person in accordance with current electrical regulation.

Please note that all our lights require earthing. This light must be installed in accordance with the latest edition of British Standard 7671.

The electricity supply should always be isolated at its source (fuse box) before attempting any installation or maintenance.

Please do not fit bulbs exceeding the maximum allowable wattage as shown on the label adjacent to the bulb holder. Please note we do not recommend using halogen bulbs in our lights.

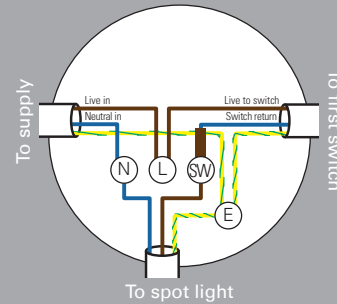
If the external flexible cable or cord of light is damaged, it shall be exclusively replaced by Jim Lawrence or a similar qualified person in order to avoid a hazard.

If any glass components of this light are damaged during transit, please contact Jim Lawrence to discuss replacements. All our glass has arised edges, but we recommend gloves are to be used when handling.

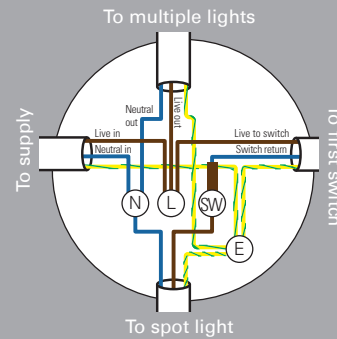
This product is intended for indoor use only.
220-240V ~ 50Hz.

Wiring Diagrams

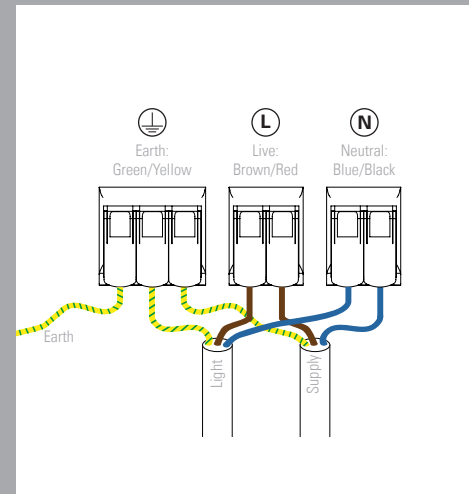
Single light system



Multiple light system



Connector Block Assembly



NB. If the wiring in your house predates the British standards regulation in 2004 to harmonise wiring colours. The colour of your wires may be different to the illustration.

Fitting Advice

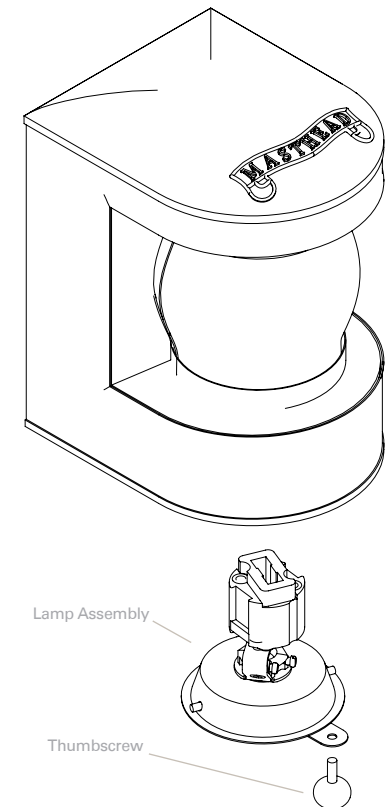
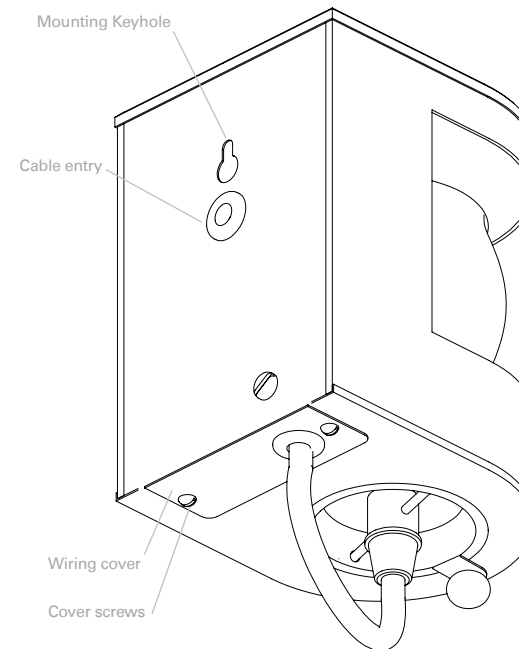
Before installing this light, switch off the mains electricity supply. If required, disconnect and remove your existing light making notes of the how the wires are positioned and connected.

Offer the light to the wall where you would like to position your light, ensuring you have a strong fixing point – a wall stud or batten is ideal. This light is mounted via a keyhole, which uses a central fixing screw, with the cable entry point positioned vertically below. Mark and drill the fixing screw, taking care not to damage any electrical cables that could be in the wall. Insert raw plug's if necessary.

To access the connector blocks, remove the wiring cover using the two screws located either side of the plate. We recommend you use the supplied connector block within the lights cavity to connect your light to the supply wire. Ensure the cables are fully inserted into the connector block and connect the wires in accordance with the wiring diagram. Reinstall the wiring cover and carefully tighten the two fixing screws. Do not overtighten.

Once all the wiring is complete, fix the light to the wall using the keyhole cut out on the back of the light. To install / replace the bulb, unscrew and remove the thumbscrew located on the base of the light. Twist the lamp assembly counter-clockwise, until the assembly is loose and can be pulled free of the light. To reinstall, align the brass pins with the notches in the carcass. Push the assembly into the carcass and turn clockwise until the thumbscrew holes align.

Please retain these fitting instructions for future reference.



This information is intended as a guide only. Please see the latest IEE Wiring Regulations for full details.

Jim Lawrence takes no responsibility for incorrectly installed lights & recommends that all lights should be installed by a qualified electrician. These details are correct at time of print.

Cable Preparation

