

made by
**JIM
LAWRENCE**



01473 826699
WWW.JIM-LAWRENCE.CO.UK

JLF13023

CLUB WALL LIGHT

Safety First

If in any doubt about electrical safety, contact a qualified electrician. Installation should always be carried out by a qualified electrician or a competent person in accordance with current electrical regulation.

Please note that all our lights require earthing. This light must be installed in accordance with the latest edition of British Standard 7671.

The electricity supply should always be isolated at its source (fuse box) before attempting any installation or maintenance.

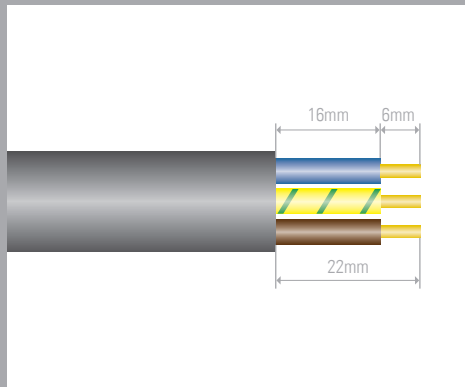
Please do not fit bulbs exceeding the maximum allowable wattage as shown on the label adjacent to the bulb holder. Please note we do not recommend using halogen bulbs in our lights.

If the external flexible cable or cord of light is damaged, it shall be exclusively replaced by Jim Lawrence or a similar qualified person in order to avoid a hazard.

If any glass components of this light are damaged during transit, please contact Jim Lawrence to discuss replacements. All our glass has arised edges, but we recommend gloves are to be used when handling.

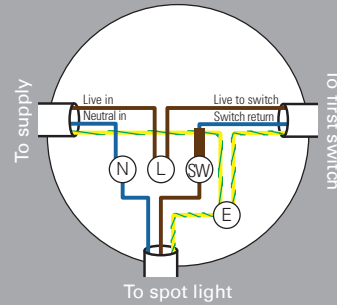
This product is intended for indoor use only. 220-240V ~ 50Hz.

Cable Preparation

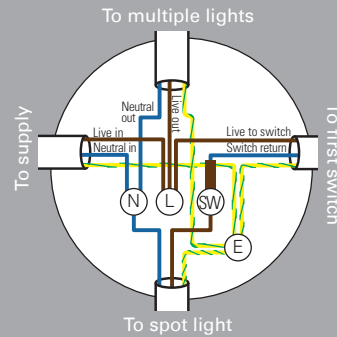


Wiring Diagrams

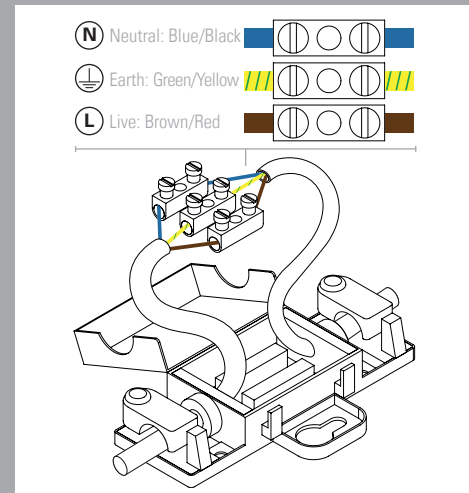
Single light system



Multiple light system



Connector Block Assembly



NB. If the wiring in your house predates the British standards regulation in 2004 to harmonise wiring colours. The colour of your wires may be different to the illustration.

Fitting Advice

Before installing the light, switch off the mains electricity supply. If required, disconnect and remove your existing light making a note of how the wires are positioned and connected.

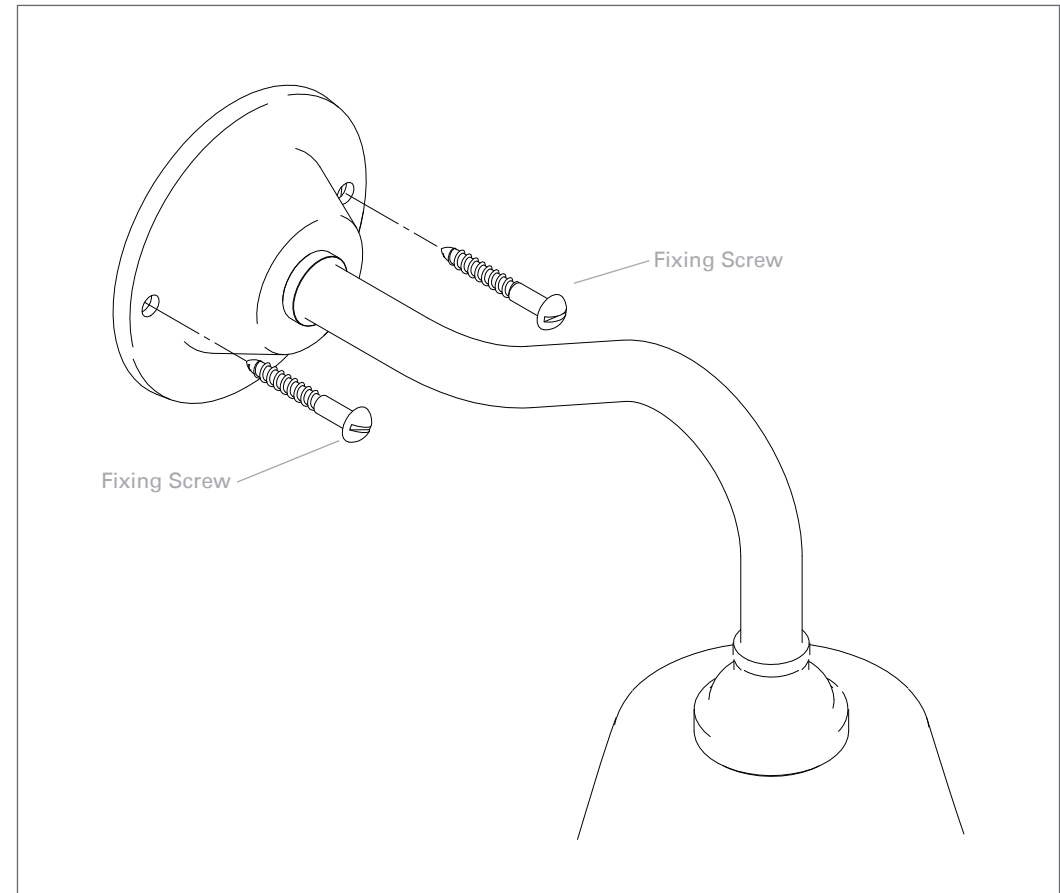
Ensure the cables are fully inserted into the connector block and connect the wires in accordance with the wiring diagram.

Fix the light to the wall, ensuring all electrical cables and connections are secure.

Please retain these fitting instructions for future reference.

Offer the light to the wall where you would like to position it, ensuring you have a strong fixing point. A timber stud is ideal, or use the appropriate fixing for your wall substrate. Mark and drill the holes for the fixing screws taking care not to damage any electrical cables.

We recommend you use the appropriate sealed connector block within your wall to connect your light to the supply wire.



This information is intended as a guide only. Please see the latest IEE Wiring Regulations for full details.

Jim Lawrence takes no responsibility for incorrectly installed lights & recommends that all lights should be installed by a qualified electrician. These details are correct at time of print.