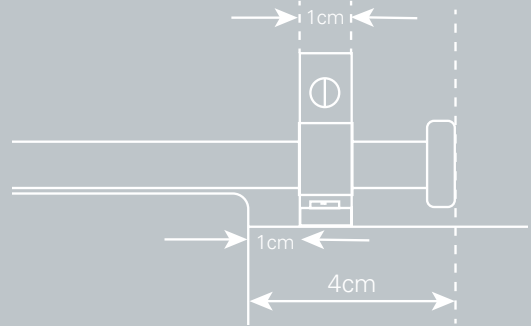
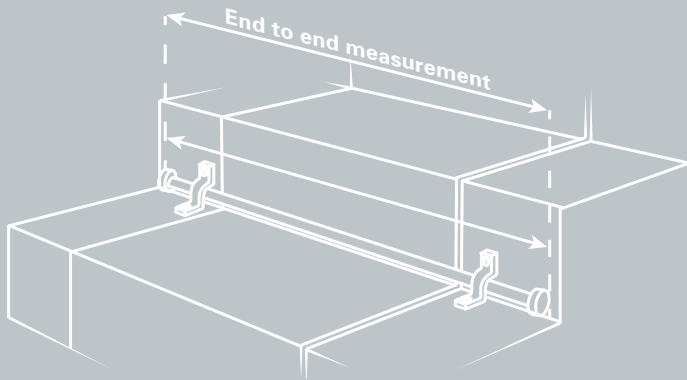


## A Guide to our made-to-measure Stair Rods

### How to measure for Stair Rods

Measure the overall width of your runner, then add 4cm on each side. This will give you your end to end stair rod measurement. Please ensure this doesn't exceed your staircase width.



### Brass

#### Finishes



Antiqued Brass



Polished Brass

#### Style



Brass

Our brass stair rods are styled with a turned end that will slide freely through the unique brass bracket.

### Forged Iron

#### Finishes



Beeswax



Matt Black



Polished

#### Style



Button



Spear



### Spacers

If you have a particularly heavy runner that will not compress below 10mm spacers may be required. These are sold separately and are made to order to match the finish of your stair rod.

### Price

Our Stair rods are sold at one price, regardless of the length you require. The price includes one stair rod and two brackets.

**Forged Iron: £17.90 each**  
**Brass: £25.80 each**