

A Guide to our made-to-measure Dormer Rods

Dormer Rods

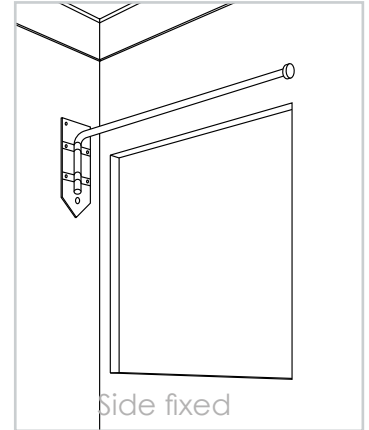
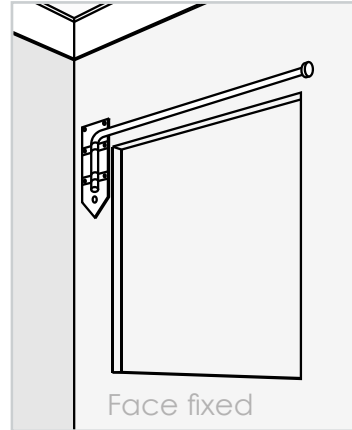
Our customers often use these in attic rooms, with Dormer windows, or in small recess areas where there is little room for conventional curtain tracks. The rods can be swung away from the window to maximise the amount of light.

Side or Face Fixed

Depending on your space, you can fix your dormer rod in either of two ways, face fixed or side fixed.

Face fixed: fixed to the same wall as the window.

Sided fixed: fixed to the adjacent wall.



Length

Our dormer rods are available up to 1.2metres in length



Support Brackets

If you are hanging a particularly heavy curtain, or require a dormer rod over 1metre in length then a support bracket may be required.



Diameters

Our dormer rods are available with either a 12mm pole or a slightly heavier 16mm option.

12mm

16mm

Finish

Our Dormer rods are available in a number of finishes,



Beeswax



Matt Black



Polished



Clay



Old Ivory



Mercury

Rings

You can calculate the number of rings you will need by dividing the length of your pole (in centimetres) by 7. See our full range online.

Price

Our Dormer rods are sold at one price, regardless of the length you require.

12mm: £47.10

16mm: £54.00